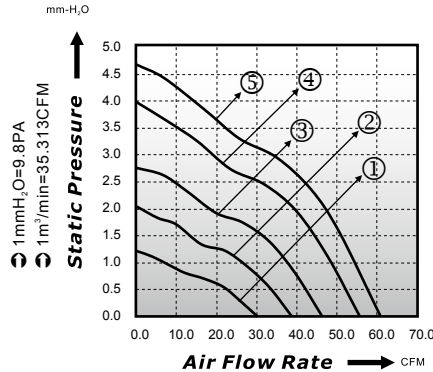


92x92x15mm

Model B

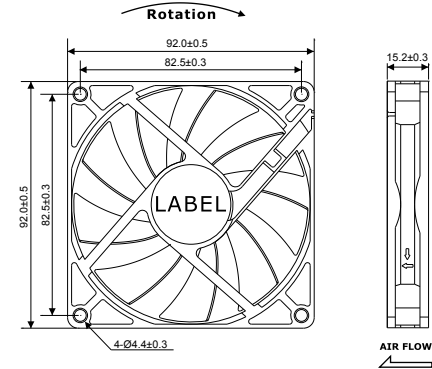


P-Q Curve (At Rated Voltage)



Dimensions Drawing

Unit: (mm)



Model No	Bearing (*)	Rated Voltage (VDC)	Rated Current (A)	Power Consumption (Watts)	Speed (rpm)	Air Flow (CFM)	Static Pressure (mmH ₂ O)	Noise (dBA)	Curve
ED09215-05L*	○ ● ⊖	5	0.35	1.75	2000	30.14	1.23	27.5	1
ED09215-05M*	○ ● ⊖	5	0.50	2.50	2500	38.84	2.05	35.0	2
ED09215-12L*	○ ● ⊖	12	0.20	2.40	2500	38.84	2.05	35.0	2
ED09215-12M*	○ ● ⊖	12	0.35	4.20	3000	46.34	2.75	40.0	3
ED09215-12H*	○ ● ⊖	12	0.55	6.60	3500	55.77	3.99	44.5	4
ED09215-24L*	○ ● ⊖	24	0.20	4.80	2500	38.84	2.05	35.0	2
ED09215-24M*	○ ● ⊖	24	0.30	7.20	3000	46.34	2.75	40.0	3
ED09215-24H*	○ ● ⊖	24	0.40	9.60	3800	60.87	4.68	47.0	5

* Bearing Type: ○ Sleeve ● Two Ball ⊖ Hydro-Dynamic